

h2ofloss™



travel dental cleaning system

Manual

manufacturer : homecare household supplies co. ltd.
factory : shenzhen baofengtong electrical manufacturing co.,ltd

SAFETY & GENERAL INFORMATION

IMPORTANT SAFETY INSTRUCTIONS

When using electrical appliances, especially when children are present, precautions should always be followed, including, but not limited to the following:

READ ALL INSTRUCTIONS BEFORE USING.

DANGER:

To reduce the risk of electrocution:

- Always unplug this product immediately after use.
- Do not handle charger with wet hands.
- Do not place in or drop into water or other liquid.
- Periodically check the cord for damage.
- Do not use the unit while bathing.
- Do not place or store the unit where it can fall or be pulled into a tub, sink, or toilet.
- Do not reach for a unit that has fallen into water. Unplug immediately.

WARNING:

To reduce the risk of burns, electrocution, fire, or injury to persons:

- Do not plug this device into voltage system that is different from the voltage system specified on the device or charger.
- Never operate this product if it has a damaged cord or plug, if it is not working properly, if dropped or damaged, or dropped into water.
- Use of a battery other than the special battery designed for this appliance could result in battery explosion.
- Close supervision is necessary when this product is used by, on or near children or adults requiring assistance.
- Do not direct water under the tongue, into the ear, nose or other delicate areas. This product is capable of producing pressures that may cause serious damage in these areas. See operating instructions for correct usage.

- Use this product only for its intended use as described in the manual or as recommended by your dental professional.
- Do not use attachments not recommended by the manufacturer.
- Fill reservoir with warm water or other mouthwash or prescribed solution as recommended by your dental professional.
- Never drop or insert any object into any opening or hose.
- Keep charging unit and cord away from heated surfaces.
- Do not use while wearing any oral jewelry. Remove prior to use.
- Do not use where oxygen or aerosol sprays are being administered.
- Do not use mouthwashes/rinses that contain iodine, bleach or tea tree oil. Do not add soda, salt or any other abrasive substance to the water in the reservoir as doing so will damage your h2ofloss.
- If you have had oral or periodontal surgery in the previous twelve months, contact your dentist prior to use.

SAVE THESE INSTRUCTIONS.

MAINTENANCE OF YOUR PRODUCT

- Make sure to throw out the water inside the tank, and run the appliance for 2 to 3 seconds to drain the water after usage.
- Do not submerge the unit in water or any other liquid.
- Wipe the exterior when necessary with a soft cloth and mild nonabrasive cleanser.
- Reservoir may be washed with soapy water. Before cleaning, unplug from the electrical outlet. Wash the dirt off from inside using a brush or similar, and wipe off with a cloth.
- Dry the reservoir when not using for a long period.

Battery Care

To charge your h2ofloss, plug the appliance into an electrical outlet. Make sure you push the switch into the "OFF" position before charging. The unit will not charge if the switch is in the "ON" position. A full charge will take at least 12 hours and will provide 40 minutes operation time.

Do not run the batteries down completely as this may shorten the lifespan of the batteries and will require charging the unit for 12

hours to obtain a full charge. If the h2ofloss is to be stored for an extended period of time, charge it for 12 hours before storing. Never store the h2ofloss for extended periods unless it is fully charged. To maximize the lifespan of the batteries the battery charger may be kept connected to the unit continuously, except for when the product is in use.

Battery Disposal

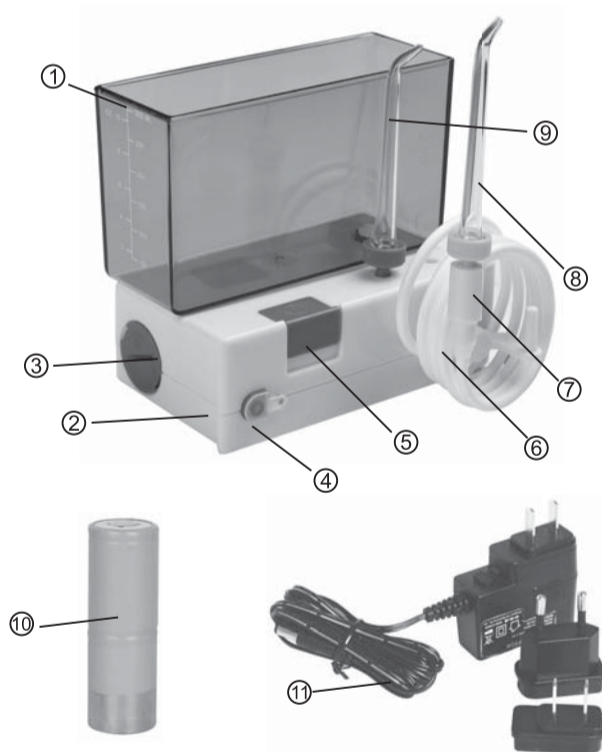
This product is provided with a nickel-hydrde battery, which does not contain any harmful heavy metals. At the end of its useful life, please recycle the unit at your nearest approved recycle centre or disposing locations in accordance with local regulations.

Limited 1-Year Warranty

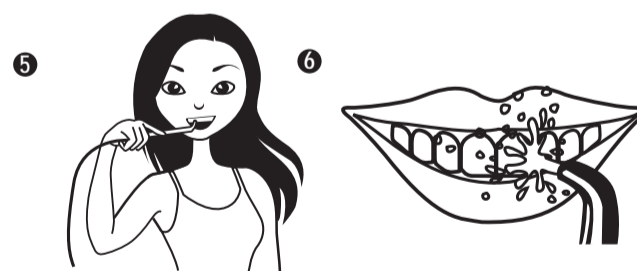
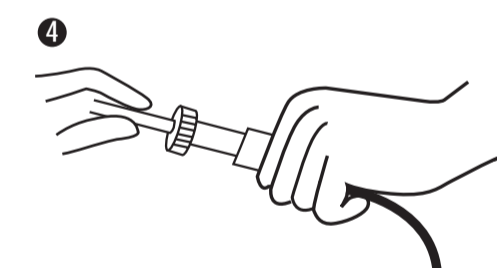
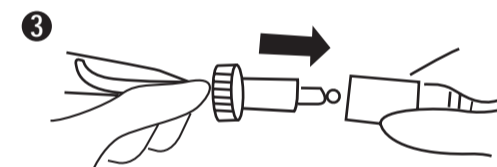
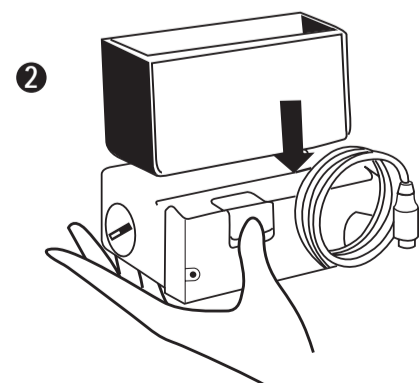
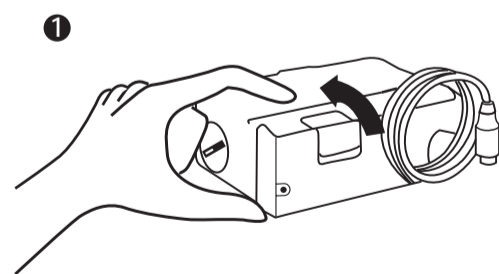
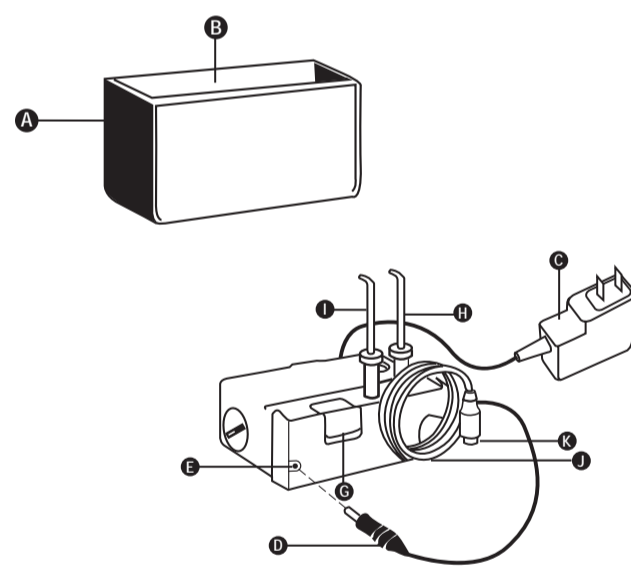
h2ofloss will repair or replace (at our option) your unit free of charge for 12 months from the date of purchase if the appliance is defective in workmanship or materials.

This guarantee does not cover: damage due to improper use, normal wear or use as well as defects that have a negligible effect on the value or operation of the appliance. The guarantee becomes void if repairs are undertaken by unauthorized persons and if original h2ofloss parts are not used.

To obtain service within the guarantee period, hand in or send the complete appliance with your purchase receipt to an authorized h2ofloss distributor/customer service centre in your country. Purchaser is responsible for all postage and freight charges and any other expenses incidental to claiming against this Warranty.



- 1 Reservoir
- 2 Base Unit
- 3 Battery Slot
- 4 Charger Inlet
- 5 On/Off
- 6 Hose
- 7 Handle
- 8 High Pressure Jet Tip (orange colour)
- 9 Low Pressure Jet Tip (blue colour)
- 10 Battery(Ni-MH)
- 11 Charger



Using the h2ofloss travel system.

Charge your travel system before its first use and before travelling. Its multivoltage charger automatically converts to standard electrical currents anywhere in the world. Insert the round plug (D) into the unit's front side (E), then plug the charging unit (C) into the electrical outlet. A full charge requires 12 hours. If you charge the unit continuously, it may become warm, but this is normal. If you do not use your unit for an extended time period, leave it unplugged.

1. Secure the Hose.

Insert the base of the water hose (D) into the hole on the front of the unit. Be sure the arrow on the base is on top, Twist the base one quarter turn to the right to lock in place.

2. Prepare the Reservoir.

Remove the reservoir/cover (A), turn it over to form the reservoir,

and fill it with lukewarm water (B). Centre the reservoir over the base and push down the lock in place.

3. Attach Jet Tip.

Disconnect the handle of the hose (K) from the base (J) and select a jet tip. The orange tip (H) provides high pressure; the blue tip (I) provides low pressure. Connect the tip to the handle by pushing with a twisting motion. If the tip does not easily snap in place, wet the grooved end and repeat.

4. Direct water flow.

Turn the notched base of the jet tip with your thumb and forefinger to direct water flow.

5. Lean over basin.

While leaning over the sink, place the jet tip in your mouth. With your free hand, turn on the appliance by pressing the switch (C).

6. Clean Teeth and Gums.

Direct the jet stream along the gumline at right angles to and almost touching your teeth. Close lips slightly to avoid splashing, but allow water to flow freely from your mouth into the basin. Pause between each tooth and continue until both upper and lower teeth are clean.

Care of your travel system.

The h2ofloss travel system requires no routine service maintenance. Never immerse the unit in water. This will damage the unit.